

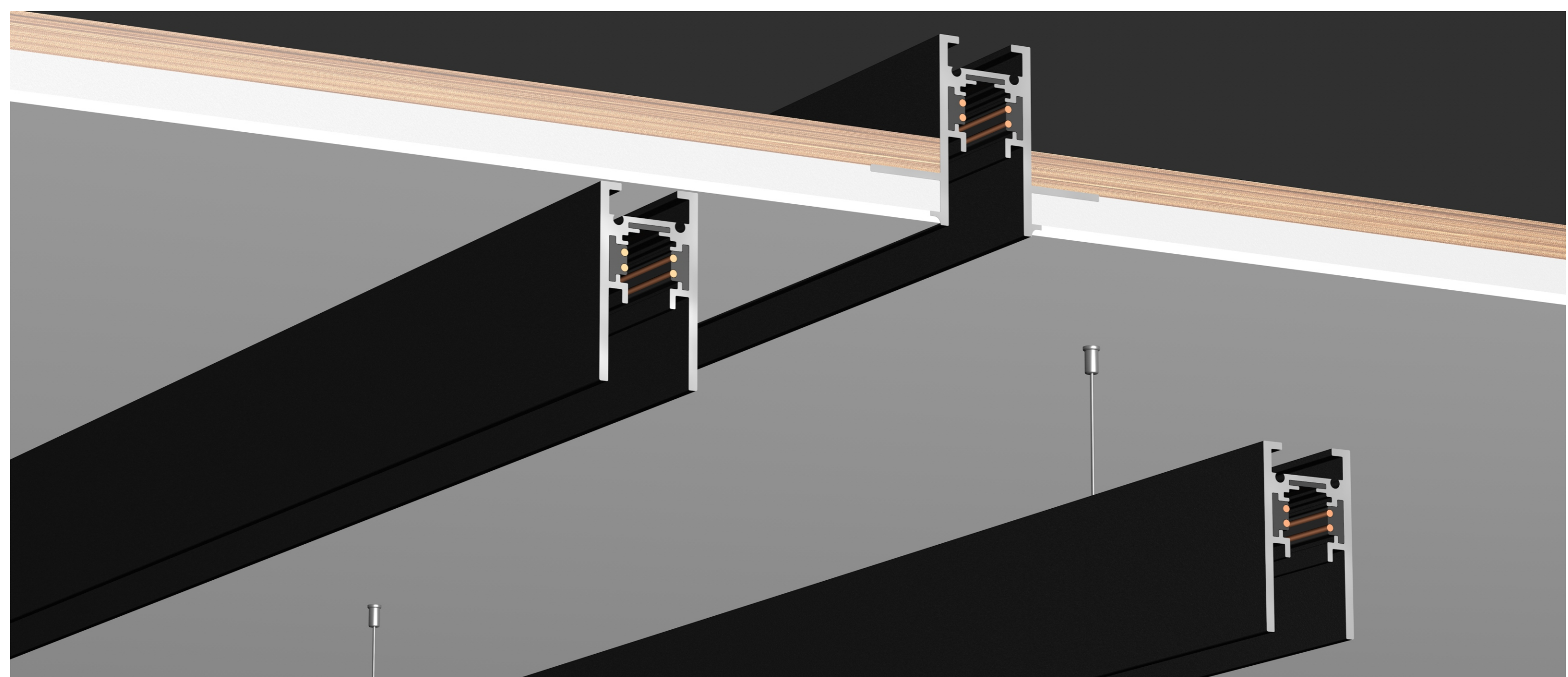


Magnetic Track Lighting

Uniq Lighting Limited

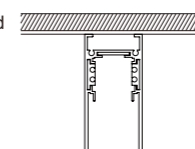
7th Floor, Xiu Ping Commercial Building, 104 Jervois Street, Sheung Wan, Hong Kong

[project@uniq.com.hk](mailto:project@uniq.com.hk)

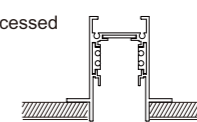


Magnetic rail lamp series products adopt four wire low voltage 48V track system, with more secure fixed structure. Products are used in home, hotel, restaurant, commercial space, office, museum and other fields and places. It can realize single lamp, multi lamp and group dimming control. It supports SCR dimming, 0-10V dimming and Dali dimming. The ceiling adopts embedded, ceiling mounted and suspended wire installation methods, which can meet the requirements of more intelligent and more reasonable access mode in the future.

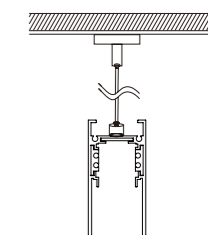
Surface Mounted



Recessed

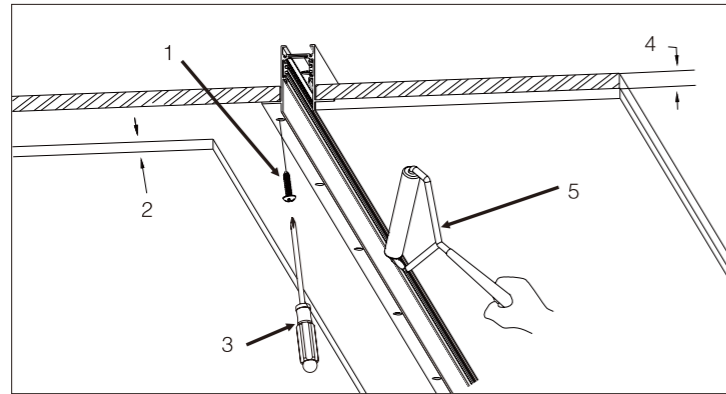


Pendant



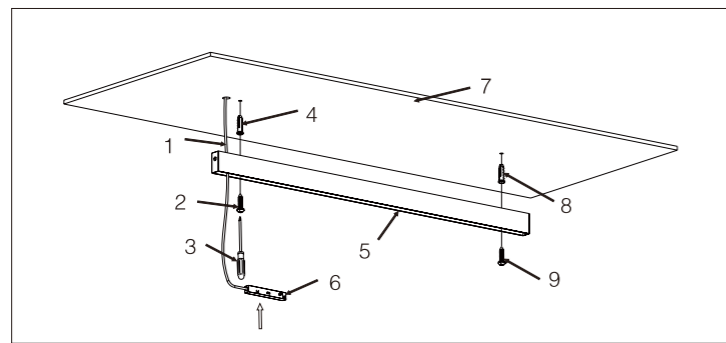
Track Installation Methods

RECESSED



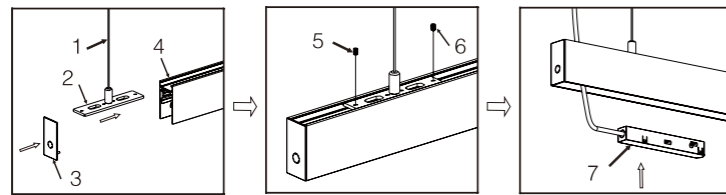
- 1 Screw
- 2 9mm ≤ Gypsum Board ≤ 12mm
- 3 Screw Driver
- 4 Splint Ceiling ≥ 12mm
- 5 Plastering

SURFACE

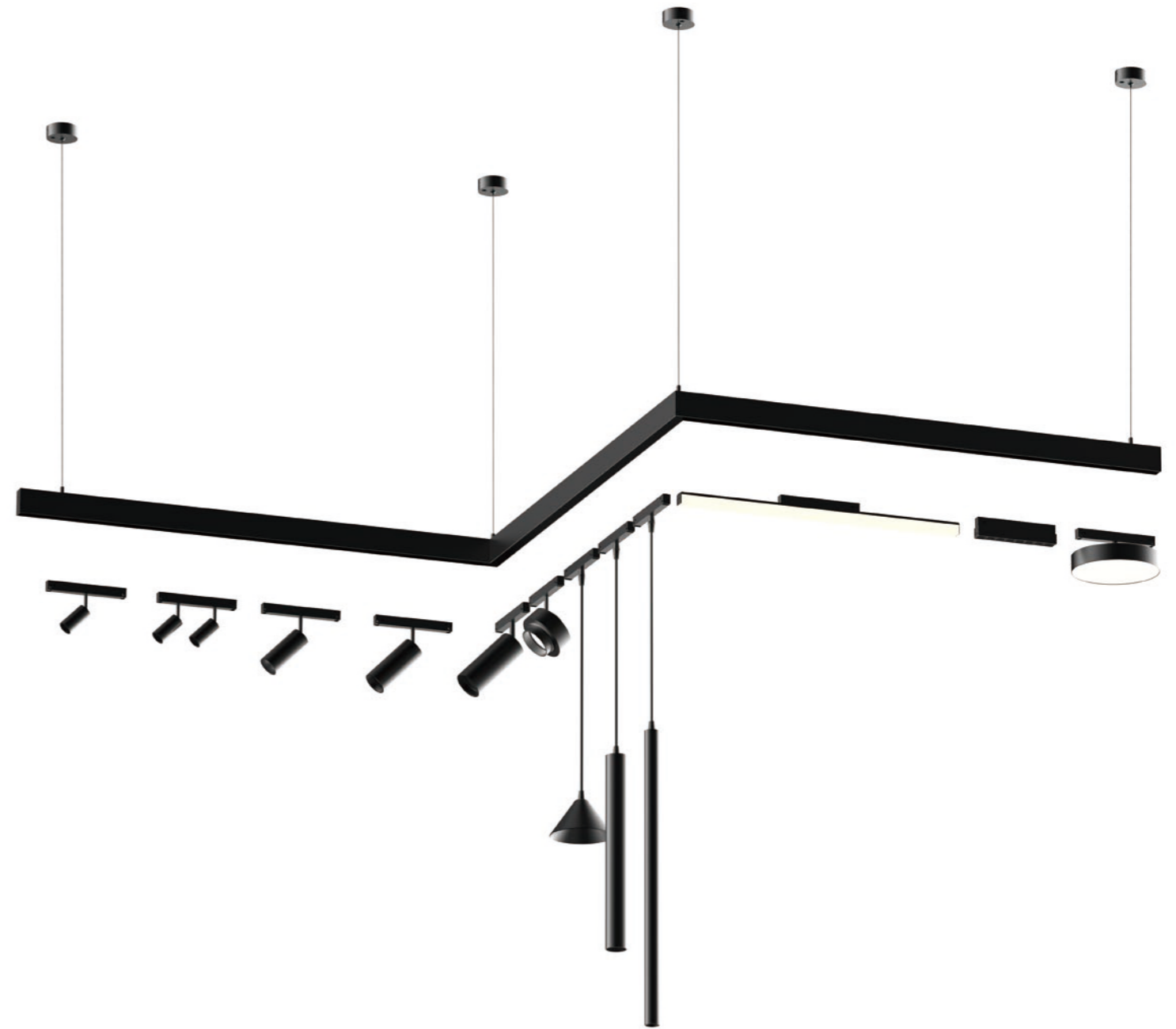
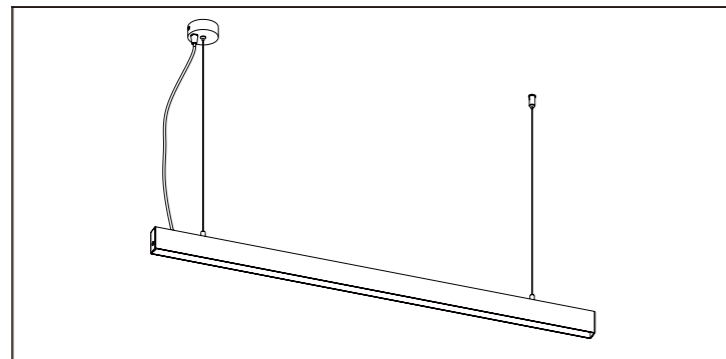


- 1 DC48V Input
- 2 Screw
- 3 Screw Driver
- 4 Expansion Screw
- 5 Track
- 6 DC Connecting Box
- 7 Ceiling
- 8 Expansion Screw
- 9 Screw

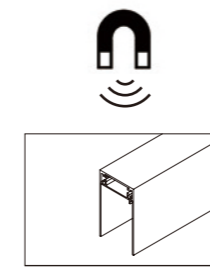
PENDANT



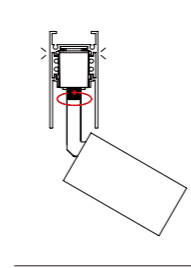
- 1 Suspension Wire
- 2 Mounting Plate
- 3 Side Cover
- 4 Track
- 5 Screw
- 6 Screw
- 7 DC Connecting Box



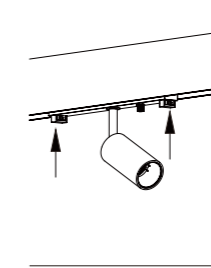
Features



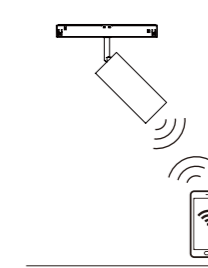
Magnet system



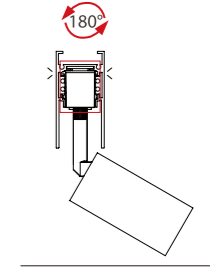
Knob Dimming Button



Click&Safety Lock

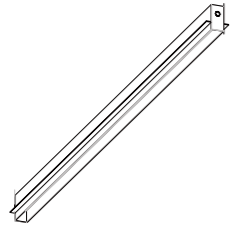


WIFI Technology

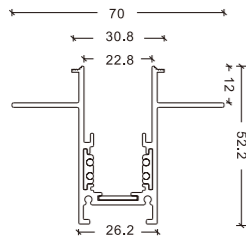


Bidirectional installation

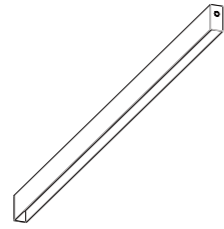
48V Low voltage magnet track system  
Installation methods



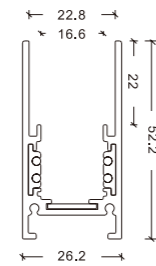
RECSSED



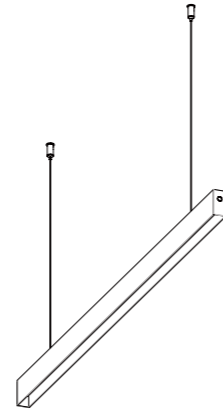
Order No:  
CB010  
CB015  
CB020



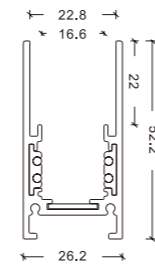
SURFACE



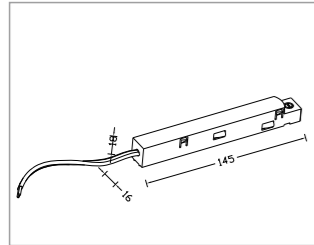
Order No:  
CM010  
CM015  
CM020



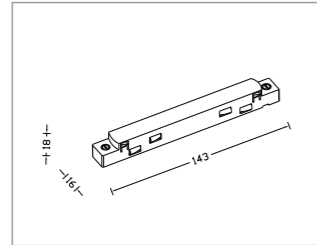
PENDANT



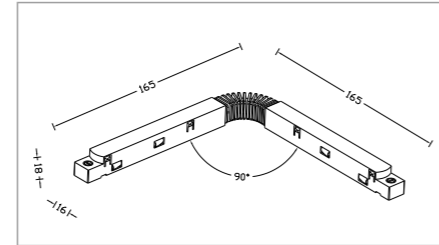
Order No:  
CM010  
CM015  
CM020



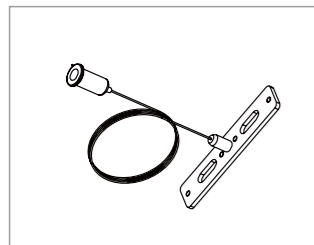
Single side connector  
CBL01



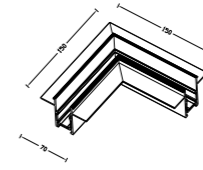
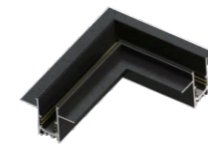
Horizontal connector  
CBL02



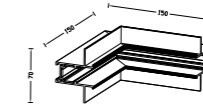
Flexible connector  
CBL03



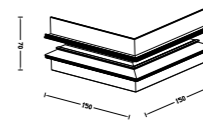
Dropline  
CTM01



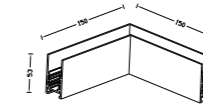
Single side connector CBL01



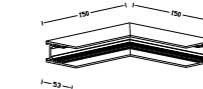
Single side connector CBL02



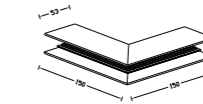
Single side connector CBL03



Single side connector CML01

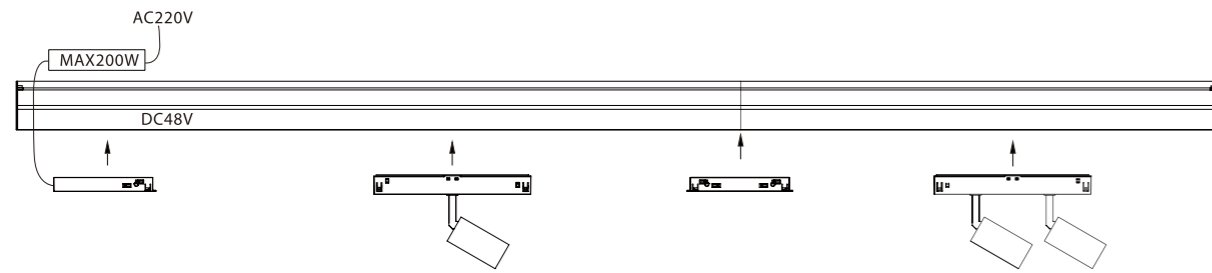


Single side connector CML02

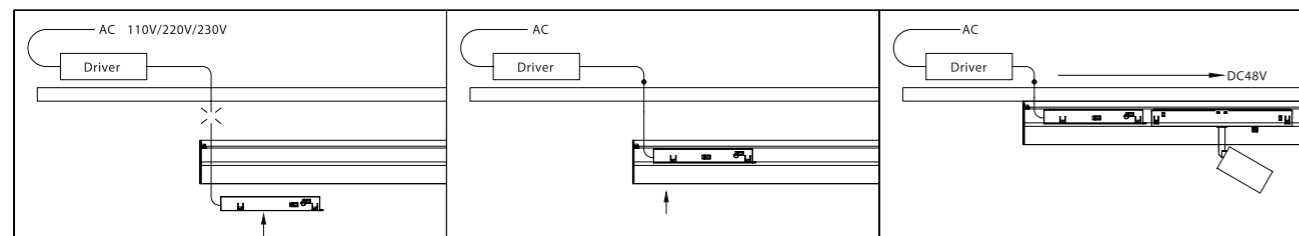


Single side connector CML03

Track Accessories



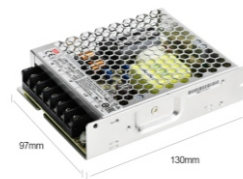
Driver Installation



Driver needs to hide into the ceiling



Order No:  
CD100

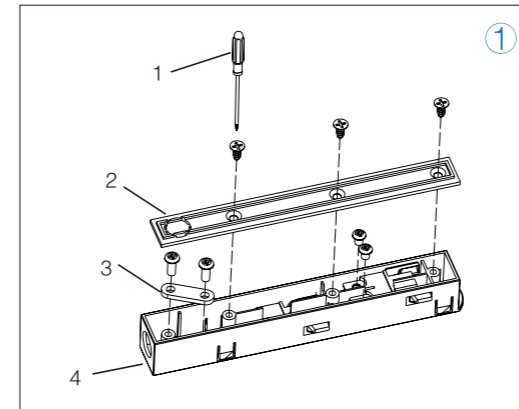


Order No:  
CD150

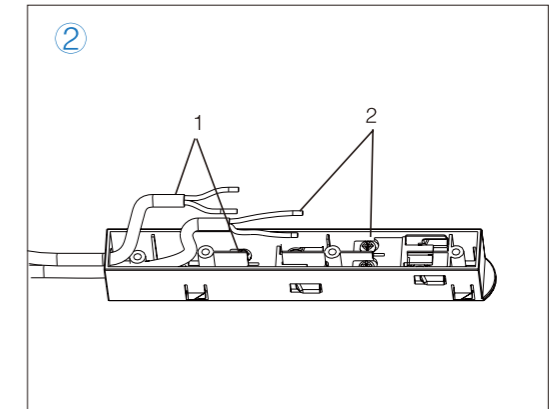


Order No:  
CD200

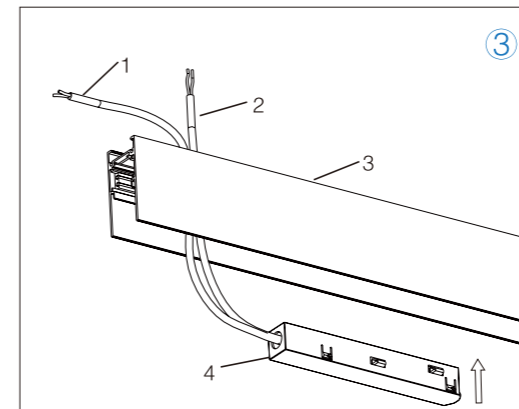
Transformer Installation Methods



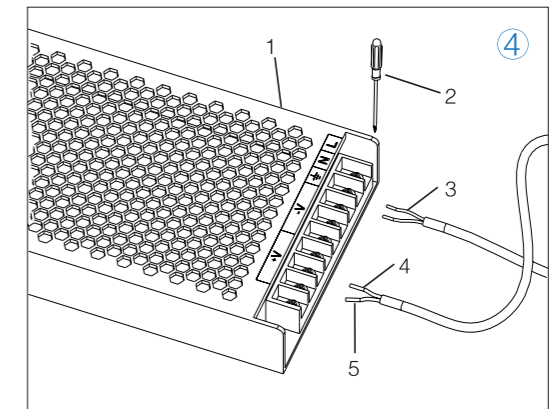
- 1 Input Connecting Box Cover
- 2 Screw Driver
- 3 Crimping Cap
- 4 DC Connecting Box



- 1 0-10V/DALI Signal Wire
- 2 48V DC Input Wire



- 1 0-10V/DALI Dimmer
- 2 DC48V Driver
- 3 Track
- 4 DC Connecting Box

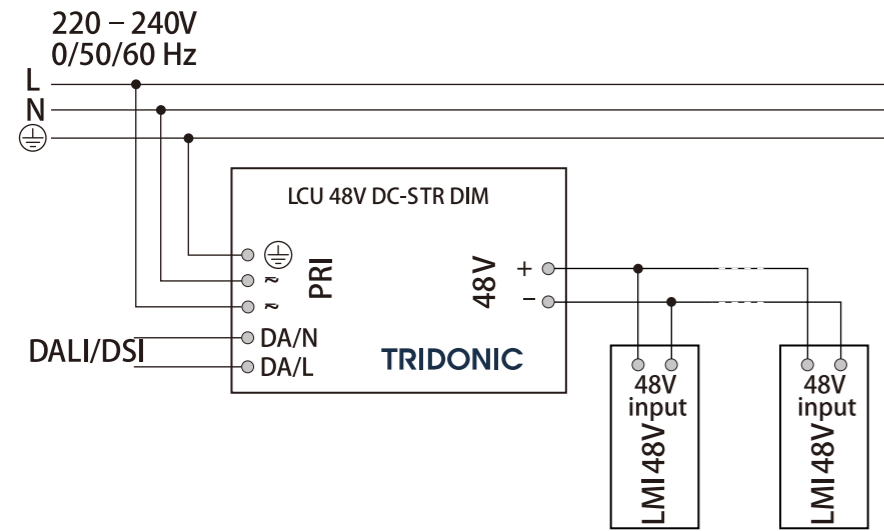


- 1 DC48V Driver
- 2 Screw Driver
- 3 Connect L/N
- 4 Connect -V
- 5 Connect +V

DALI Circuit Diagram

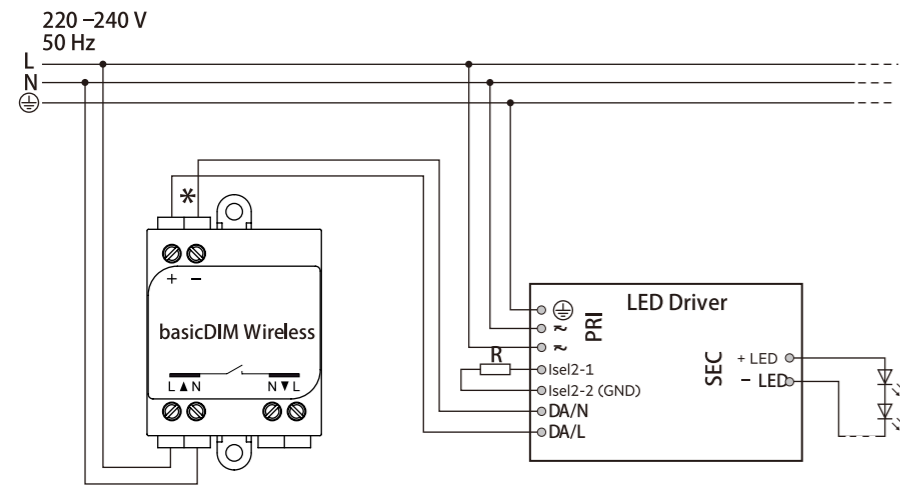
PowerLineCommunication(PLC)

The communication between the LED control gear and the DC/DC-LED Driver is done over power line. The DALI signal will be modulated by the LED control gear and will be sent over the 48V DC signal to the DC/DC-LED Driver



DALI/1-10V/0-10V Wireless driver installation instruction:

Connect the wireless control unit and the signal wire to achieve WIFI/Bluetooth dimming function. You can choose to pair with Tridonic basicDIM wireless User Interface or CASAMBI Bluetooth 4.0 Wireless Control Unit.



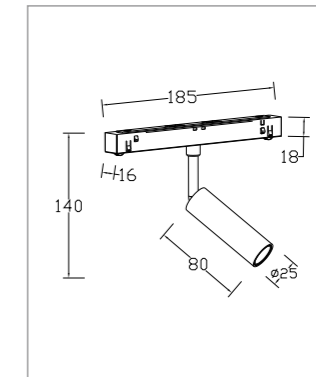
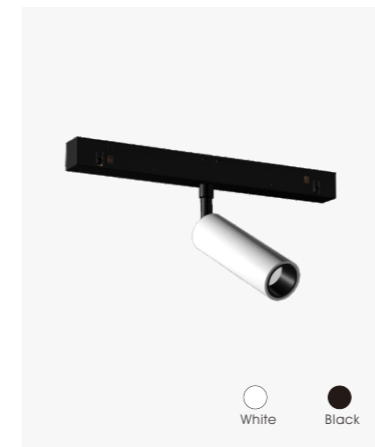
Max. wiring length 1 m with a cross section of 1 mm<sup>2</sup>.





- 0-10V**  
Dimming
- DALI**  
Dimming
- Bluetooth  
Dimming
- CRI > 90**  
CRI > 90
- High-power LED  
SDCM < 3
- IP20**  
IP level
- Anti-Glare
- DC 48V
- Magnetic

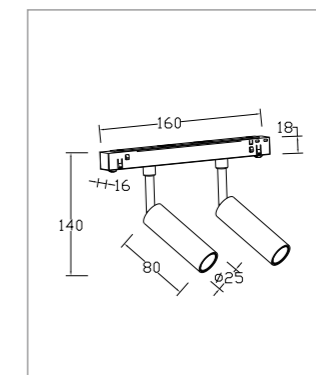
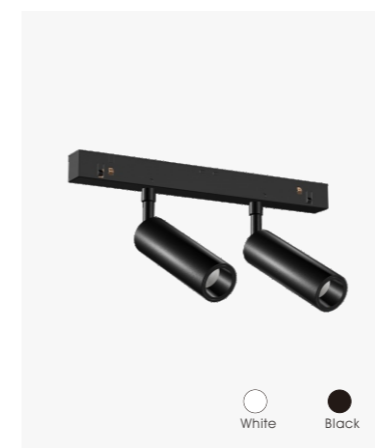
### EM-C1001



**PHILIPS LUMINUS** CITIZEN **CREE** **bridgelux**  
2700K / 3000K / 3500K / 4000K / 5000K

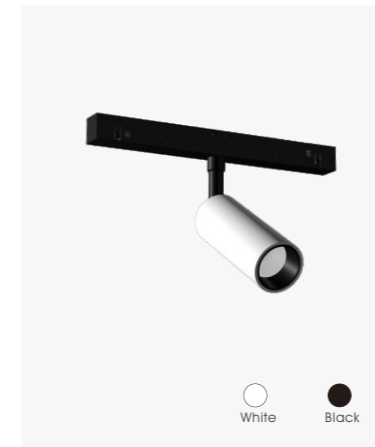
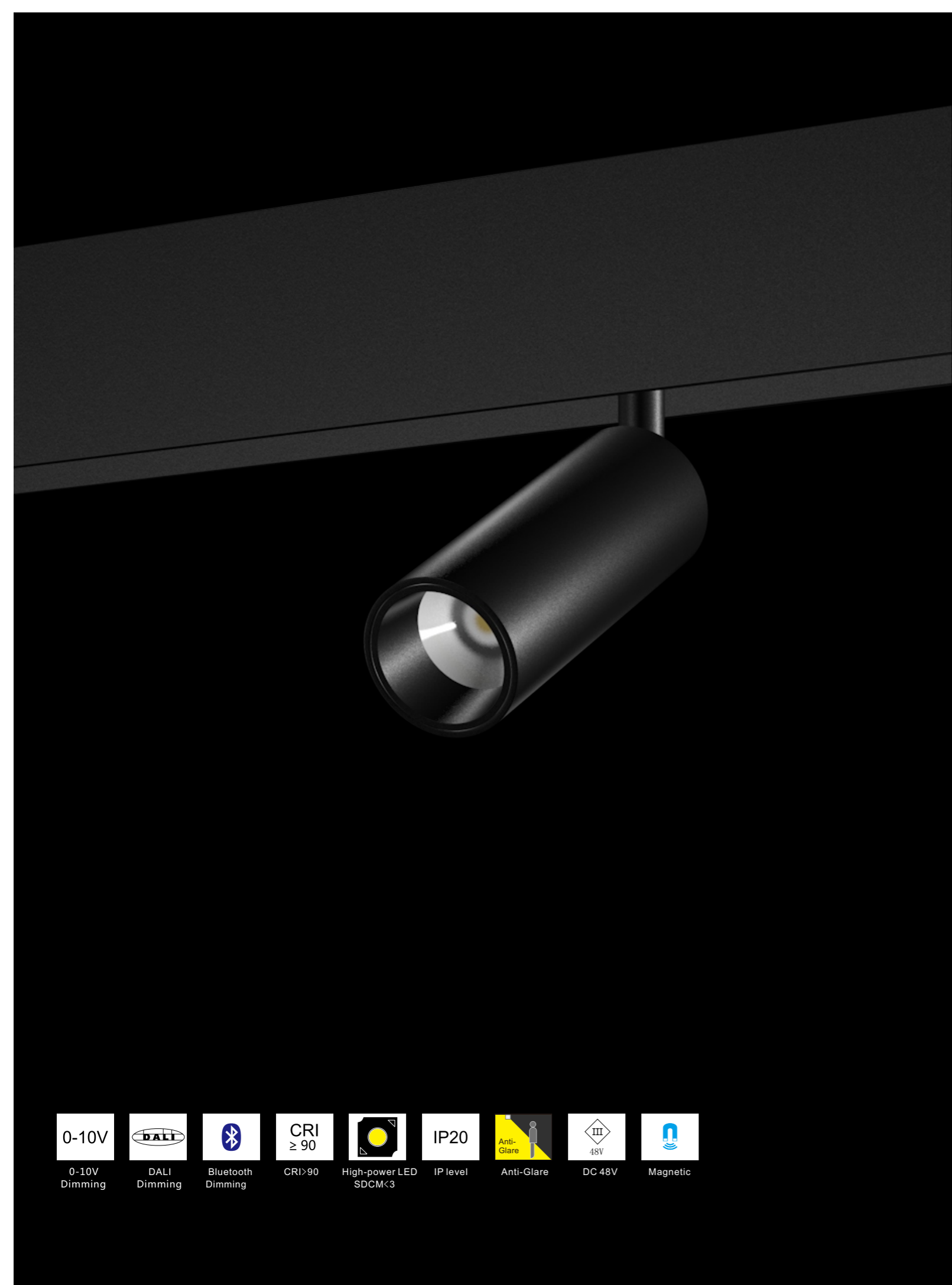
Power	Vf	Current	Lumens	Beam Angle	Voltage	IP	Installation
COB 4W	36V	100mA	200lm	15°	DC 48V	20	Magnetic
COB 4W	36V	100mA	240lm	24°	DC 48V	20	Magnetic
COB 4W	36V	100mA	320lm	38°	DC 48V	20	Magnetic

### EM-C1201

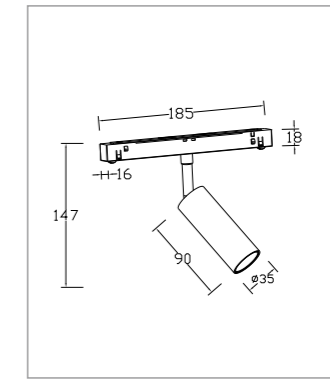


**PHILIPS LUMINUS** CITIZEN **CREE** **bridgelux**  
2700K / 3000K / 3500K / 4000K / 5000K

Power	Vf	Current	Lumens	Beam Angle	Voltage	IP	Installation
COB 2*4W	36V	100mA	2*200lm	15°	DC 48V	20	Magnetic
COB 2*4W	36V	100mA	2*240lm	24°	DC 48V	20	Magnetic
COB 2*4W	36V	100mA	2*320lm	38°	DC 48V	20	Magnetic



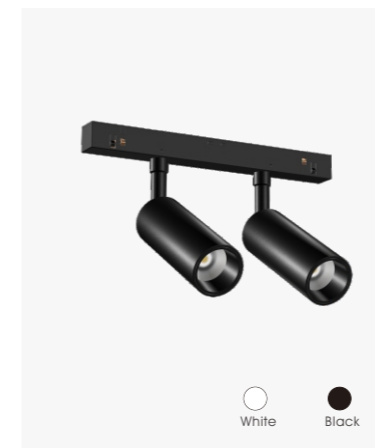
**EM-C1002**



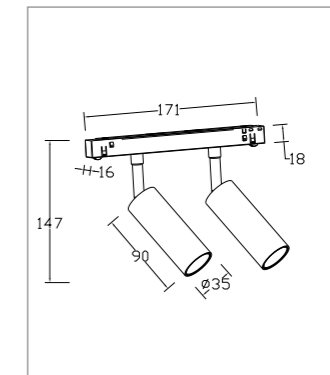
**PHILIPS LUMINUS** CITIZEN **CREE** *bridgelux*

2700K / 3000K / 3500K / 4000K / 5000K

Power	Vf	Current	Lumens	Beam Angle	Voltage	IP	Installation
COB 8W	36V	200mA	620lm	8°	DC 48V	20	Magnetic
COB 8W	36V	200mA	700lm	15°	DC 48V	20	Magnetic
COB 8W	36V	200mA	720lm	24°	DC 48V	20	Magnetic
COB 8W	36V	200mA	760lm	36°	DC 48V	20	Magnetic
COB 8W	36V	200mA	720lm	60°	DC 48V	20	Magnetic



**EM-C1202**



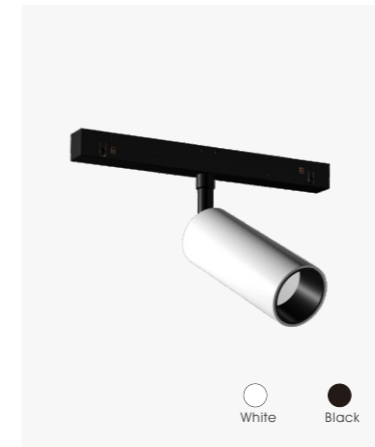
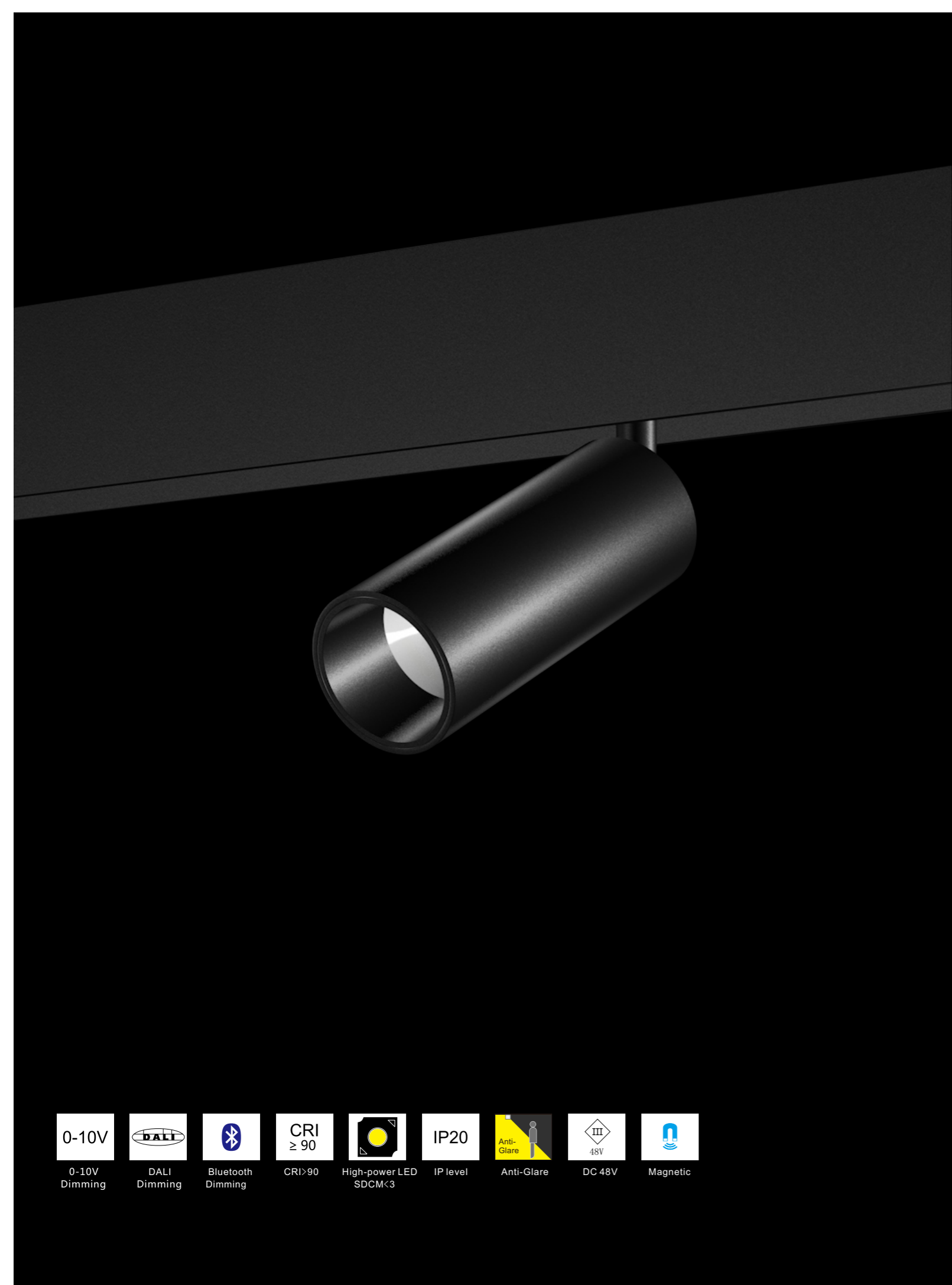
**PHILIPS LUMINUS** CITIZEN **CREE** *bridgelux*

2700K / 3000K / 3500K / 4000K / 5000K

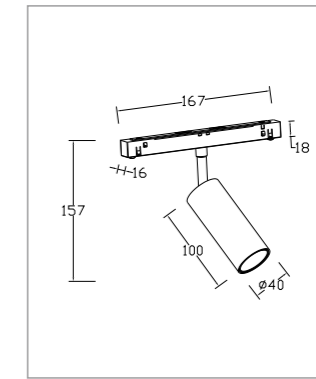
Power	Vf	Current	Lumens	Beam Angle	Voltage	IP	Installation
COB 2*8W	36V	200mA	2*620lm	8°	DC 48V	20	Magnetic
COB 2*8W	36V	200mA	2*700lm	15°	DC 48V	20	Magnetic
COB 2*8W	36V	200mA	2*720lm	24°	DC 48V	20	Magnetic
COB 2*8W	36V	200mA	2*760lm	36°	DC 48V	20	Magnetic
COB 2*8W	36V	200mA	2*720lm	60°	DC 48V	20	Magnetic

- 0-10V Dimming
- DALI Dimming
- Bluetooth Dimming
- CRI >= 90
- High-power LED SDCM<3
- IP20
- Anti-Glare
- DC 48V
- Magnetic





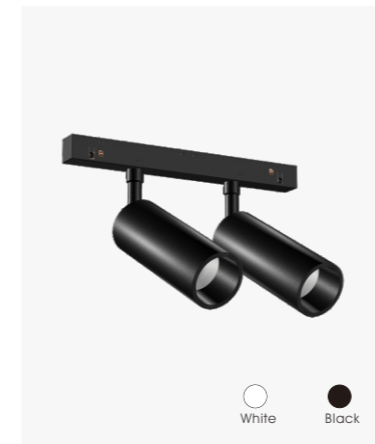
**EM-C1003**



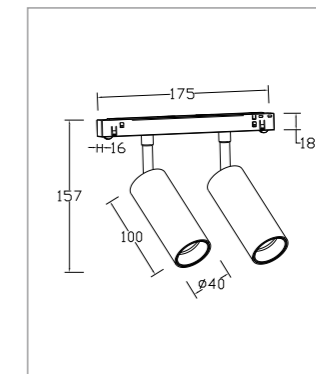
PHILIPS LUMINUS CITIZEN CREE bridgelux.

2700K / 3000K / 3500K / 4000K / 5000K

Power	Vf	Current	Lumens	Beam Angle	Voltage	IP	Installation
COB 12W	36V	300mA	1056lm	15°	DC 48V	20	Magnetic
COB 12W	36V	300mA	1080lm	24°	DC 48V	20	Magnetic
COB 12W	36V	300mA	1140lm	36°	DC 48V	20	Magnetic
COB 12W	36V	300mA	1120lm	60°	DC 48V	20	Magnetic



**EM-C1203**

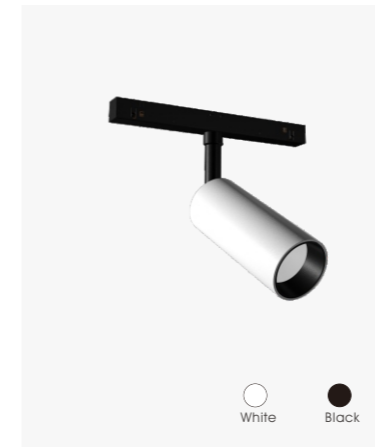


PHILIPS LUMINUS CITIZEN CREE bridgelux.

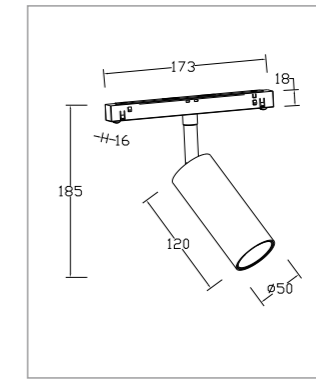
2700K / 3000K / 3500K / 4000K / 5000K

Power	Vf	Current	Lumens	Beam Angle	Voltage	IP	Installation
COB 2*12W	36V	300mA	2*1056lm	15°	DC 48V	20	Magnetic
COB 2*12W	36V	300mA	2*1080lm	24°	DC 48V	20	Magnetic
COB 2*12W	36V	300mA	2*1140lm	36°	DC 48V	20	Magnetic
COB 2*12W	36V	300mA	2*1120lm	60°	DC 48V	20	Magnetic

- 0-10V  
Dimming
- DALI  
Dimming
- Bluetooth  
Dimming
- CRI >= 90
- High-power LED  
SDCM<3
- IP20
- Anti-Glare
- DC 48V
- Magnetic



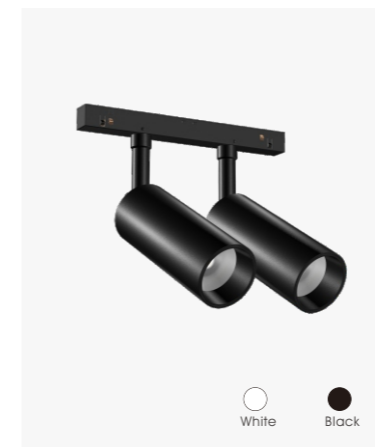
**EM-C1004**



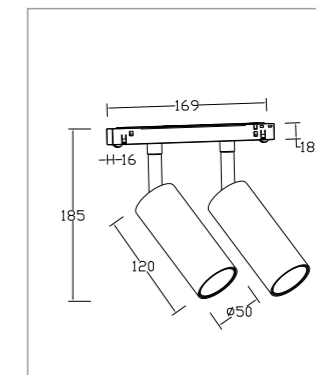
PHILIPS LUMINUS CITIZEN CREE bridgelux

2700K / 3000K / 3500K / 4000K / 5000K

Power	Vf	Current	Lumens	Beam Angle	Voltage	IP	Installation
COB 15W	36V	350mA	1320lm	15°	DC 48V	20	Magnetic
COB 15W	36V	350mA	1350lm	24°	DC 48V	20	Magnetic
COB 15W	36V	350mA	1425lm	36°	DC 48V	20	Magnetic
COB 15W	36V	350mA	1440lm	60°	DC 48V	20	Magnetic



**EM-C1204**

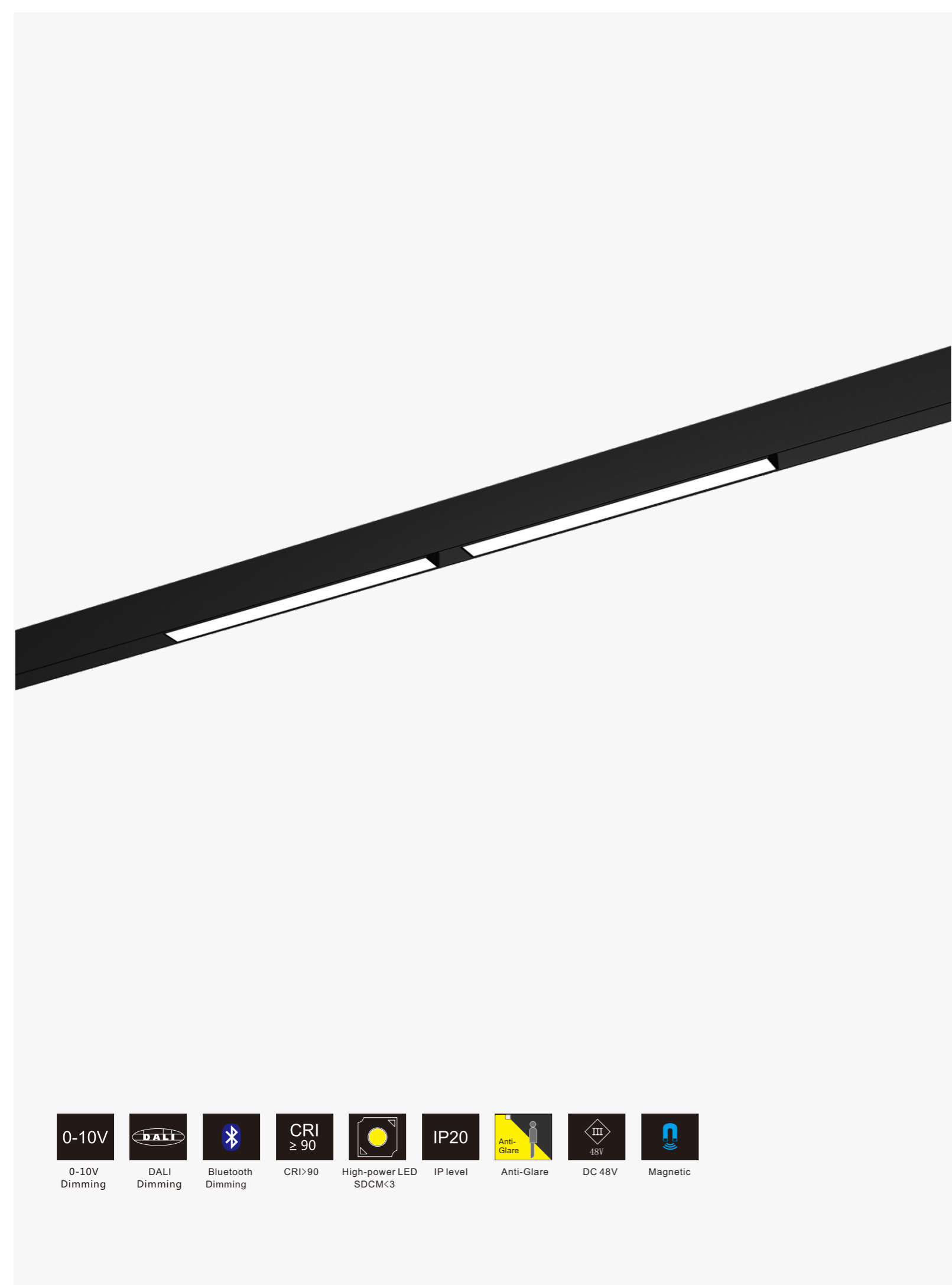











PHILIPS LUMINUS CITIZEN CREE bridgelux

2700K / 3000K / 3500K / 4000K / 5000K

Power	Vf	Current	Lumens	Beam Angle	Voltage	IP	Installation
COB 2*15W	36V	350mA	2*1320lm	15°	DC 48V	20	Magnetic
COB 2*15W	36V	350mA	2*1350lm	24°	DC 48V	20	Magnetic
COB 2*15W	36V	350mA	2*1425lm	36°	DC 48V	20	Magnetic
COB 2*15W	36V	350mA	2*1440lm	60°	DC 48V	20	Magnetic

- 0-10V Dimming
- DALI Dimming
- Bluetooth Dimming
- CRI >= 90
- High-power LED SDCM<3
- IP20
- Anti-Glare
- DC 48V
- Magnetic

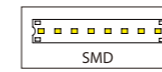
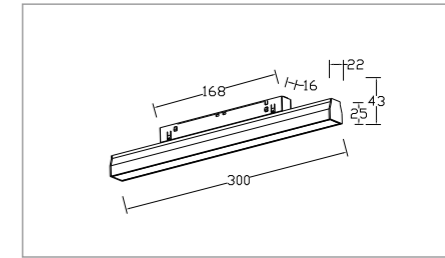


-   
 0-10V Dimming
-   
 DALI Dimming
-   
 Bluetooth Dimming
-   
 CRI > 90
-   
 High-power LED SDCM<3
-   
 IP20
-   
 Anti-Glare
-   
 DC 48V
-   
 Magnetic

### EM-C4030



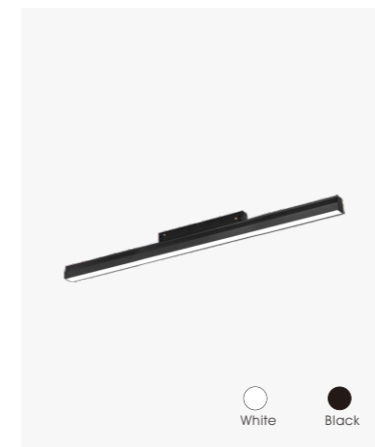
White Black



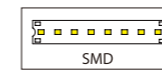
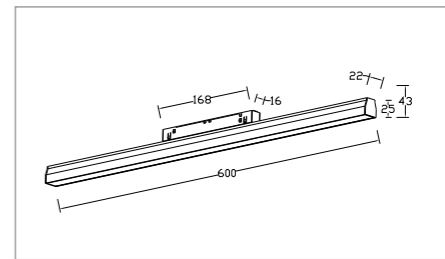
OSRAM PHILIPS CREE  2700K / 3000K / 3500K / 4000K / 5000K

Power	Vf	Current	Lumens	Beam Angle	Voltage	IP	Installation
SMD 10W	36V	200mA	720lm	120°	DC 48V	20	Magnetic

### EM-C4060



White Black

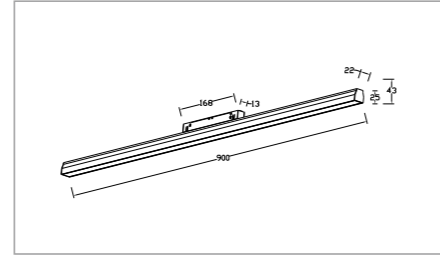


OSRAM PHILIPS CREE  2700K / 3000K / 3500K / 4000K / 5000K

Power	Vf	Current	Lumens	Beam Angle	Voltage	IP	Installation
SMD 20W	36V	500mA	1440lm	120°	DC 48V	20	Magnetic



**EM-C4090**

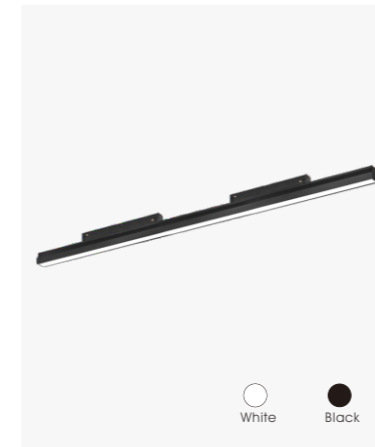


White Black

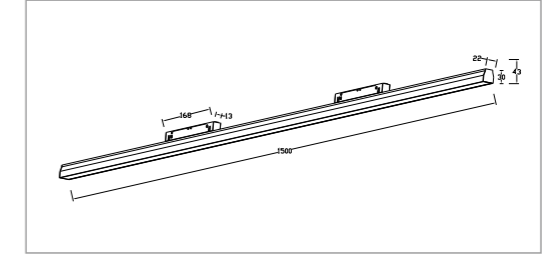


OSRAM PHILIPS CREE   
 2700K / 3000K / 3500K / 4000K / 5000K

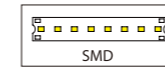
Power	Vf	Current	Lumens	Beam Angle	Voltage	IP	Installation
SMD 30W	36V	700mA	2160lm	120°	DC 48V	20	Magnetic



**EM-C4150**



White Black

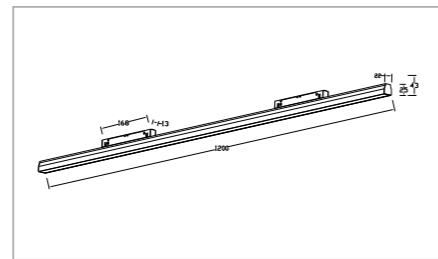


OSRAM PHILIPS CREE   
 2700K / 3000K / 3500K / 4000K / 5000K

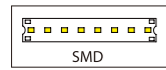
Power	Vf	Current	Lumens	Beam Angle	Voltage	IP	Installation
SMD 50W	36V	1100mA	3600lm	120°	DC 48V	20	Magnetic



**EM-C4120**

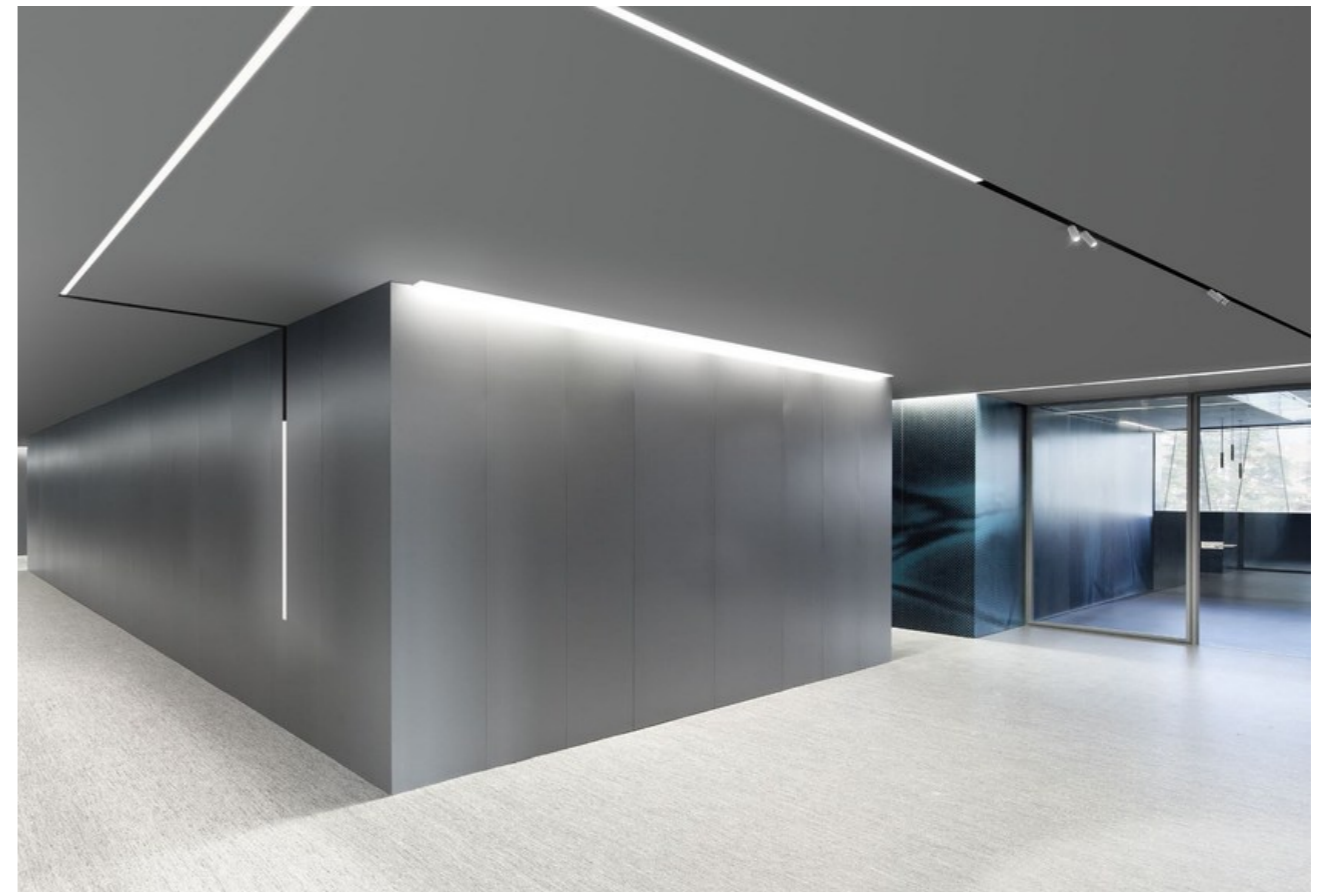


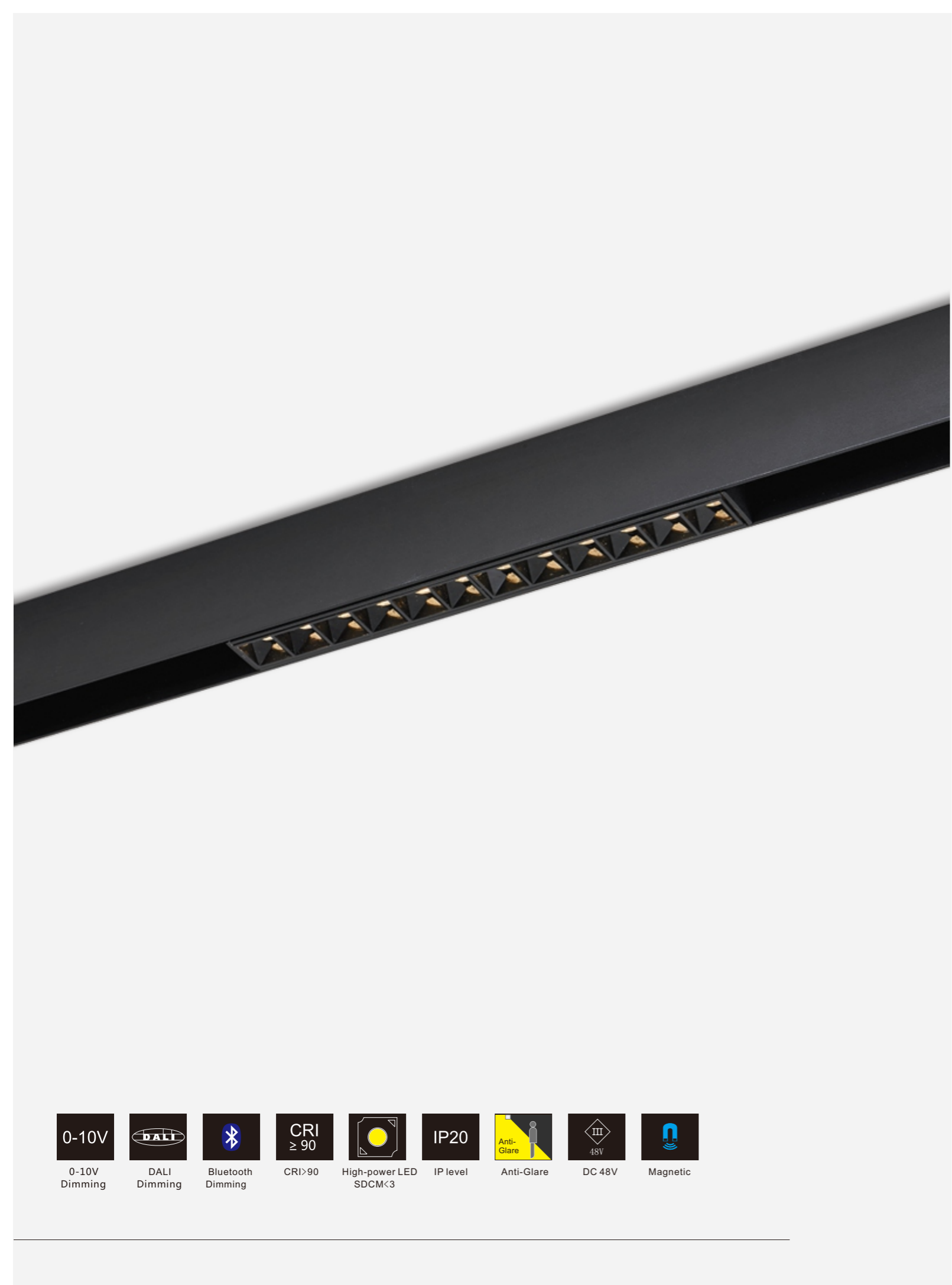
White Black






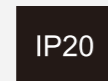





OSRAM PHILIPS CREE   
 2700K / 3000K / 3500K / 4000K / 5000K

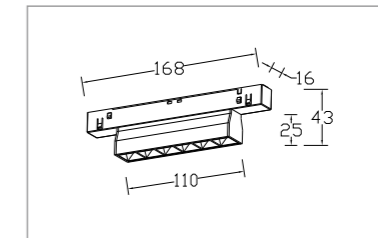
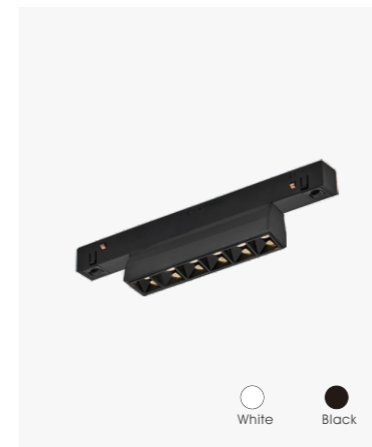
Power	Vf	Current	Lumens	Beam Angle	Voltage	IP	Installation
SMD 40W	36V	900mA	2880lm	120°	DC 48V	20	Magnetic





-   
 0-10V Dimming
-   
 DALI Dimming
-   
 Bluetooth Dimming
-   
 CRI > 90
-   
 High-power LED SDCM<3
-   
 IP20
-   
 Anti-Glare
-   
 DC 48V
-   
 Magnetic

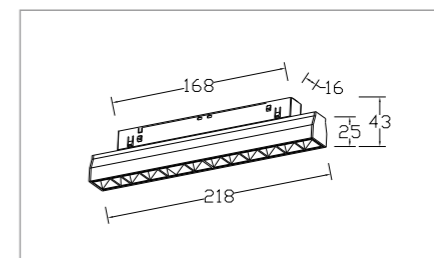
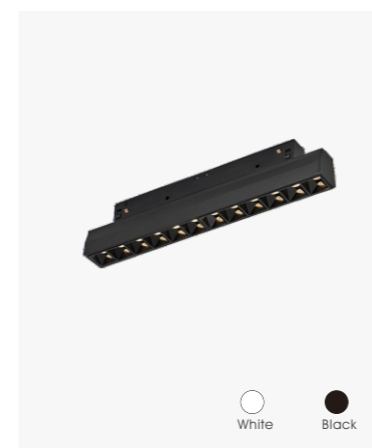
### EM-C3001



OSRAM PHILIPS CREE   
 2700K / 3000K / 3500K / 4000K / 5000K

Power	Vf	Current	Lumens	Beam Angle	Voltage	IP	Installation
SMD 8W	3V	200mA	620lm	15°	DC 48V	20	Magnetic
SMD 8W	3V	200mA	650lm	24°	DC 48V	20	Magnetic
SMD 8W	3V	200mA	670lm	36°	DC 48V	20	Magnetic

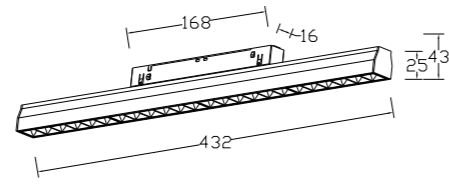
### EM-C3002



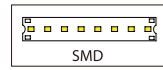
OSRAM PHILIPS CREE   
 2700K / 3000K / 3500K / 4000K / 5000K

Power	Vf	Current	Lumens	Beam Angle	Voltage	IP	Installation
SMD 15W	3V	350mA	1240lm	15°	DC 48V	20	Magnetic
SMD 15W	3V	350mA	1300lm	24°	DC 48V	20	Magnetic
SMD 15W	3V	350mA	1340lm	36°	DC 48V	20	Magnetic

**EM-C3003**



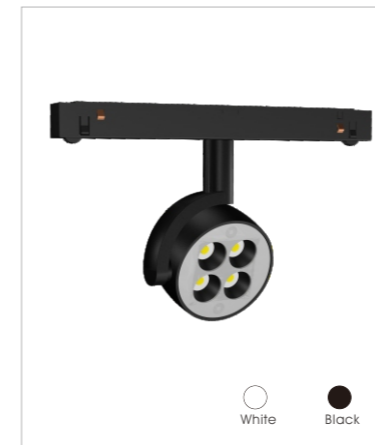
White Black



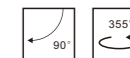
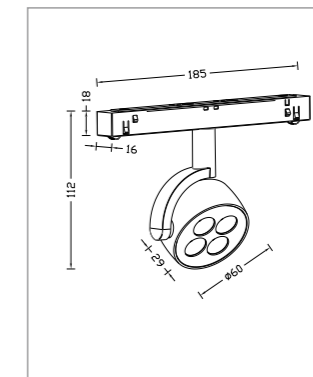
**PHILIPS CREE** *bridgelux*  
2700K / 3000K / 3500K / 4000K / 5000K

Power	Vf	Current	Lumens	Beam Angle	Voltage	IP	Installation
SMD 30W	3V	700mA	2480lm	15°	DC 48V	20	Magnetic
SMD 30W	3V	700mA	2600lm	24°	DC 48V	20	Magnetic
SMD 30W	3V	700mA	2680lm	36°	DC 48V	20	Magnetic



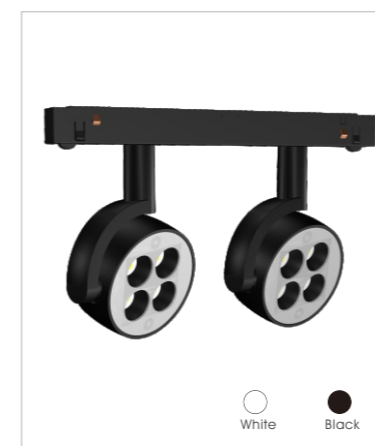


**EM-C1005**

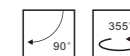
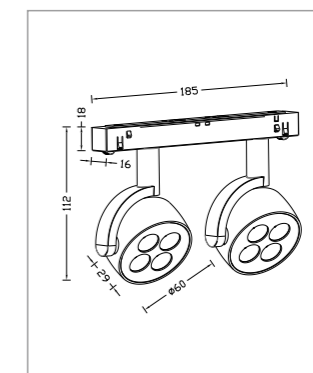


OSRAM PHILIPS CREE **bridgelux**  
2700K / 3000K / 3500K / 4000K / 5000K

Power	Vf	Current	Lumens	Beam Angle	Voltage	IP	Installation
SMD 8W	36V	200mA	620lm	15°	DC 48V	20	Magnetic
SMD 8W	36V	200mA	650lm	24°	DC 48V	20	Magnetic
SMD 8W	36V	200mA	670lm	36°	DC 48V	20	Magnetic



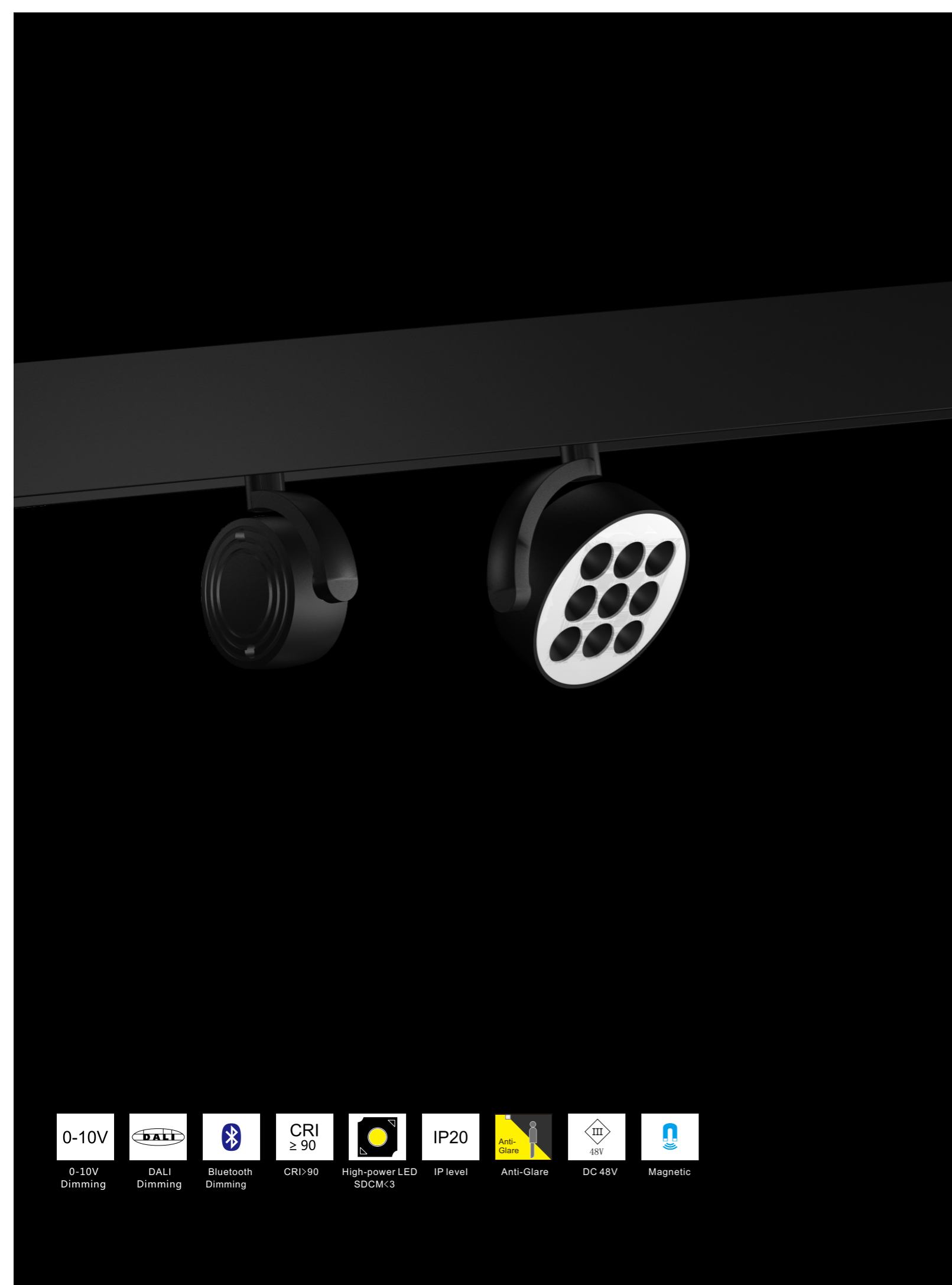
**EM-C1205**



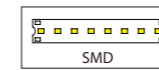
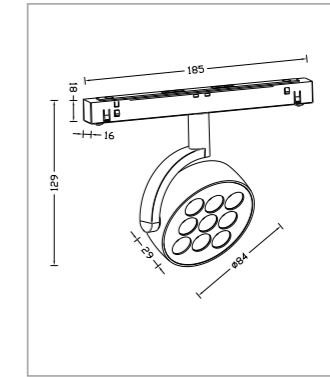
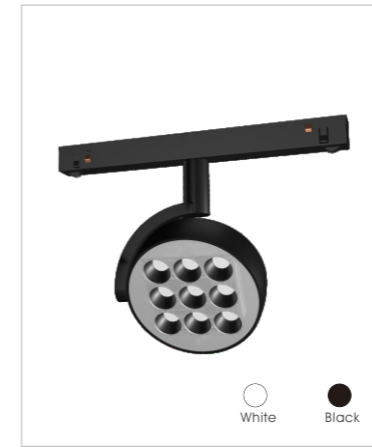
OSRAM PHILIPS CREE **bridgelux**  
2700K / 3000K / 3500K / 4000K / 5000K

Power	Vf	Current	Lumens	Beam Angle	Voltage	IP	Installation
SMD 2*8W	36V	200mA	2*620lm	15°	DC 48V	20	Magnetic
SMD 2*8W	36V	200mA	2*650lm	24°	DC 48V	20	Magnetic
SMD 2*8W	36V	200mA	2*670lm	36°	DC 48V	20	Magnetic

- 0-10V Dimming
- DALI Dimming
- Bluetooth Dimming
- CRI >= 90
- High-power LED SDCM<3
- IP20
- Anti-Glare
- DC 48V
- Magnetic



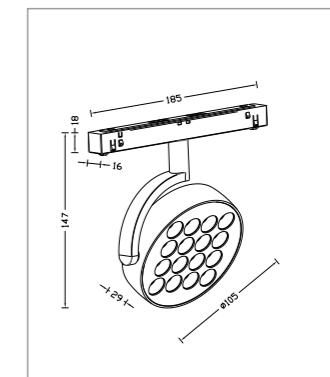
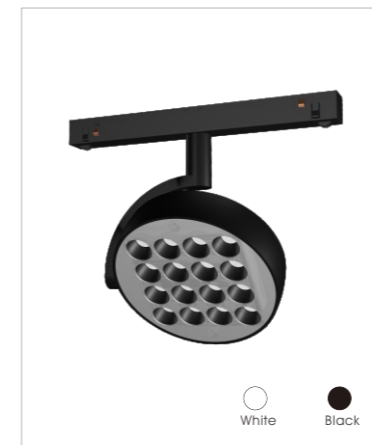
### EM-C1006



OSRAM PHILIPS CREE **bridgelux**  
2700K / 3000K / 3500K / 4000K / 5000K

Power	Vf	Current	Lumens	Beam Angle	Voltage	IP	Installation
SMD 15W	36V	350mA	1240lm	15°	DC 48V	20	Magnetic
SMD 15W	36V	350mA	1300lm	24°	DC 48V	20	Magnetic
SMD 15W	36V	350mA	1340lm	36°	DC 48V	20	Magnetic

### EM-C1007



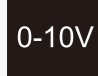




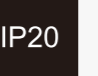


OSRAM PHILIPS CREE **bridgelux**  
2700K / 3000K / 3500K / 4000K / 5000K

Power	Vf	Current	Lumens	Beam Angle	Voltage	IP	Installation
SMD 25W	36V	600mA	1240lm	15°	DC 48V	20	Magnetic
SMD 25W	36V	600mA	1300lm	24°	DC 48V	20	Magnetic
SMD 25W	36V	600mA	1340lm	36°	DC 48V	20	Magnetic

- 0-10V  
Dimming
- DALI  
Dimming
- Bluetooth  
Dimming
- CRI >= 90
- High-power LED  
SDCM<3
- IP20
- Anti-Glare
- DC 48V
- Magnetic



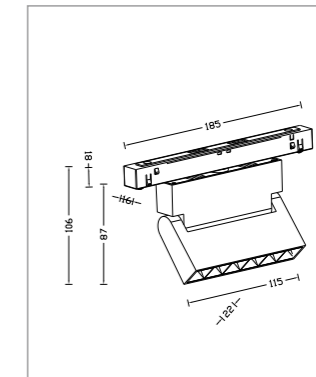


-   
 0-10V Dimming
-   
 DALI Dimming
-   
 Bluetooth Dimming
-   
 CRI > 90
-   
 High-power LED SDCM<3
-   
 IP20
-   
 Anti-Glare
-   
 DC 48V
-   
 Magnetic

### EM-C2001



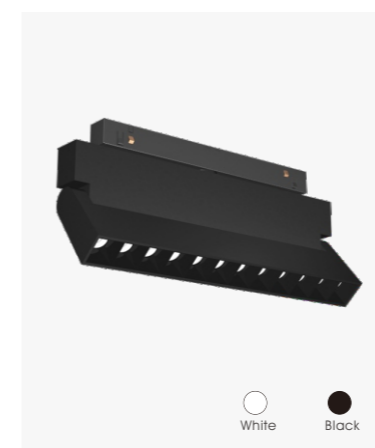
White Black



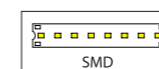
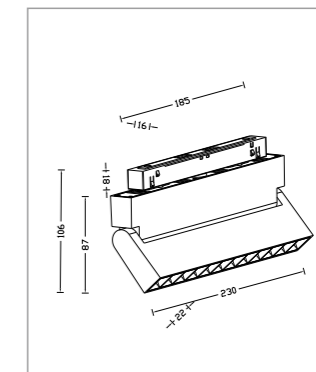
OSRAM PHILIPS CREE bridgelux  
 2700K / 3000K / 3500K / 4000K / 5000K

Power	Vf	Current	Lumens	Beam Angle	Voltage	IP	Installation
SMD 8W	3V	200mA	620lm	15°	DC 48V	20	Magnetic
SMD 8W	3V	200mA	650lm	24°	DC 48V	20	Magnetic
SMD 8W	3V	200mA	670lm	36°	DC 48V	20	Magnetic

### EM-C2002



White Black

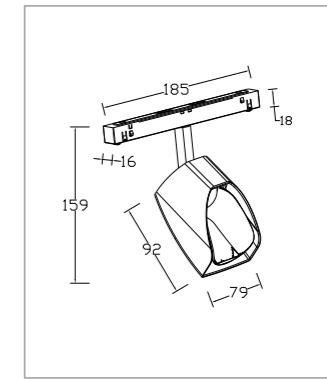
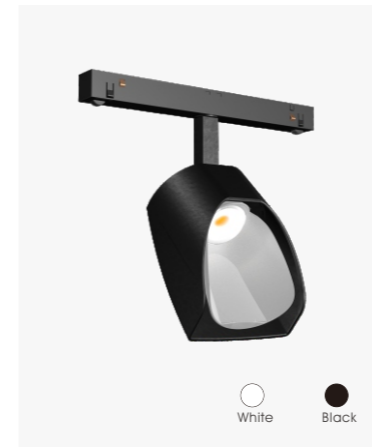


OSRAM PHILIPS CREE bridgelux  
 2700K / 3000K / 3500K / 4000K / 5000K

Power	Vf	Current	Lumens	Beam Angle	Voltage	IP	Installation
SMD 15W	3V	350mA	1240lm	15°	DC 48V	20	Magnetic
SMD 15W	3V	350mA	1300lm	24°	DC 48V	20	Magnetic
SMD 15W	3V	350mA	1340lm	36°	DC 48V	20	Magnetic



**EM-C7001**



**PHILIPS LUMINUS** CITIZEN **CREE** *bridgelux*

2700K / 3000K / 3500K / 4000K / 5000K

Power	Vf	Current	Lumens	Beam Angle	Voltage	IP	Installation
COB 8W	36V	200mA	720lm	60°	DC 48V	20	Magnetic

-   
 0-10V Dimming
-   
 DALI Dimming
-   
 Bluetooth Dimming
-   
 CRI >= 90
-   
 High-power LED SDCM<3
-   
 IP20
-   
 Anti-Glare
-   
 DC 48V
-   
 Magnetic